



SHOX5

2400 SEAT INFOSET



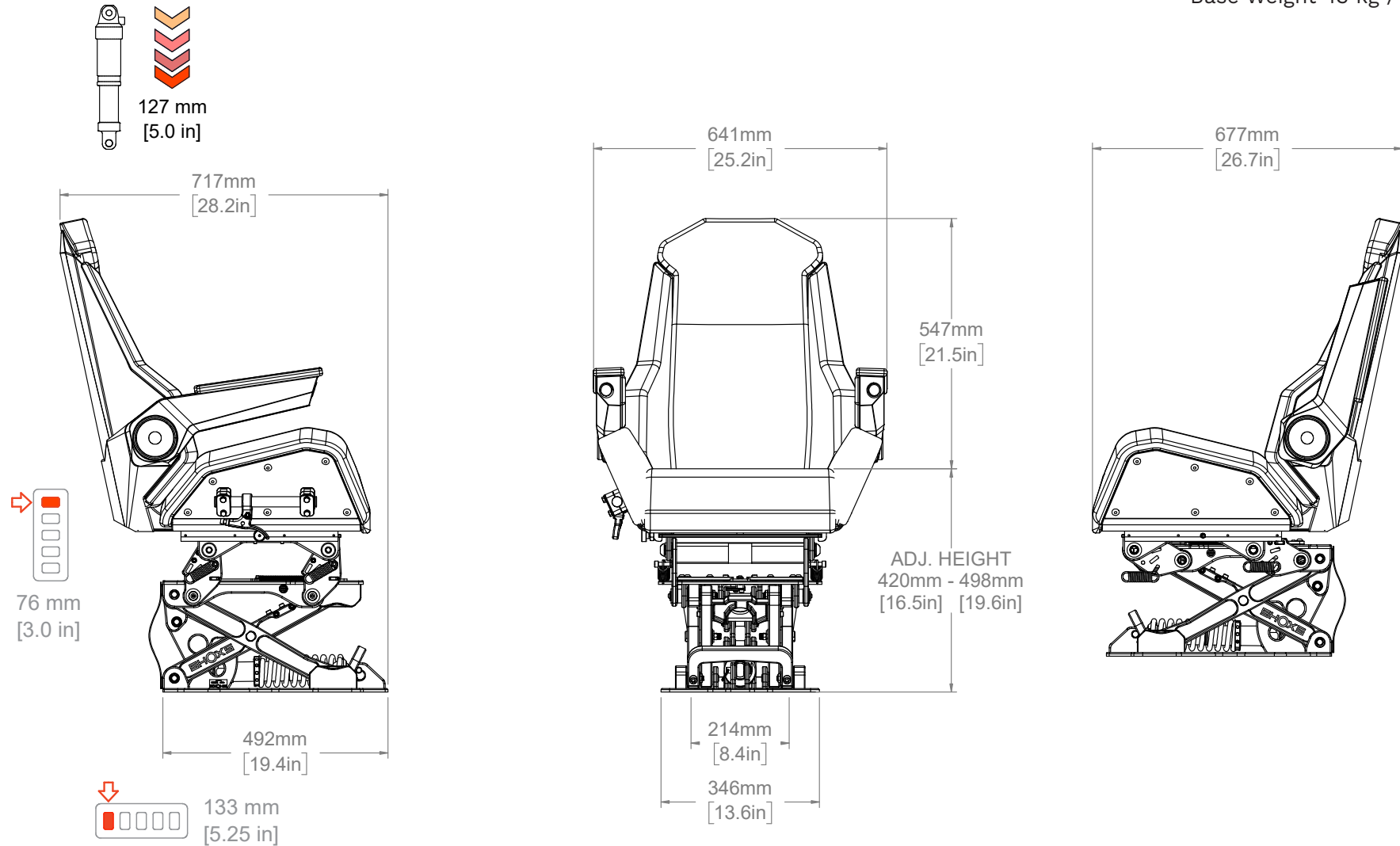
2400 SEAT OVERVIEW

Human Engineering Reference MIL-STD-1472G

Suspension Travel 125 mm / 5 inch

Material CNC Aluminum 316 SS / Titanium / Carbon Fiber

Base Weight 43 kg / 95 lb



ALLSALT MARITIME OWNER OF SHOX5 AND KINETIX / ALLSALT.COM / SHOX5.COM / 1 (888) 637.4697



2400 SEAT CENTER OF MASS

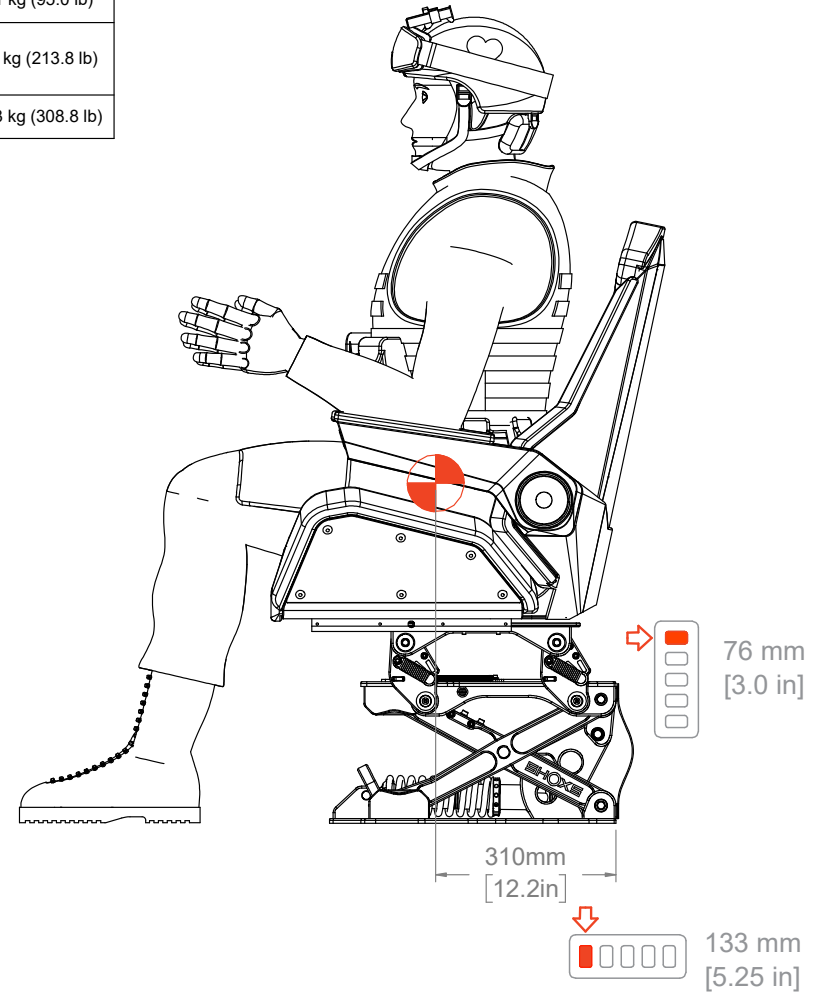
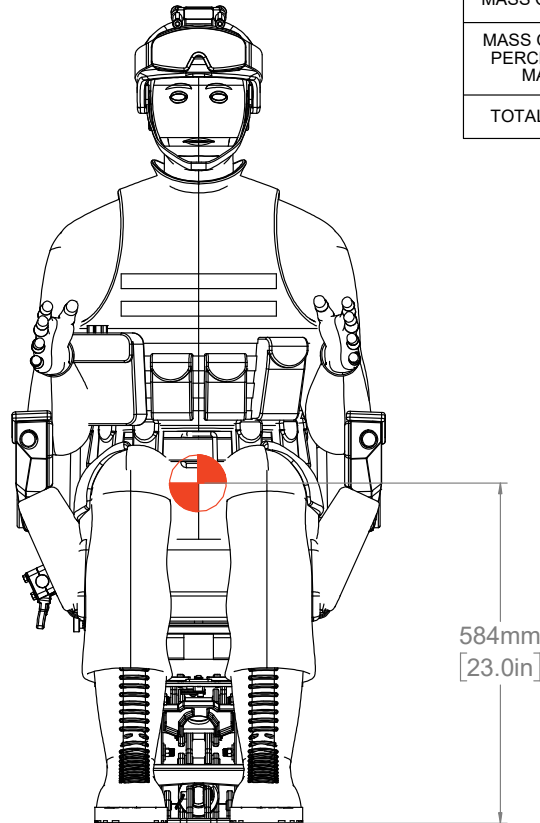
Human Engineering Reference MIL-STD-1472G

Suspension Travel 125 mm / 5 inch

Material CNC Aluminum 316 SS / Titanium / Carbon Fiber

Base Weight 43 kg / 95 lb

MASS OF SEAT	43.1 kg (95.0 lb)
MASS OF 95TH PERCENTILE MALE	97.2 kg (213.8 lb)
TOTAL MASS	140.3 kg (308.8 lb)



 CENTER OF MASS

SHOX5

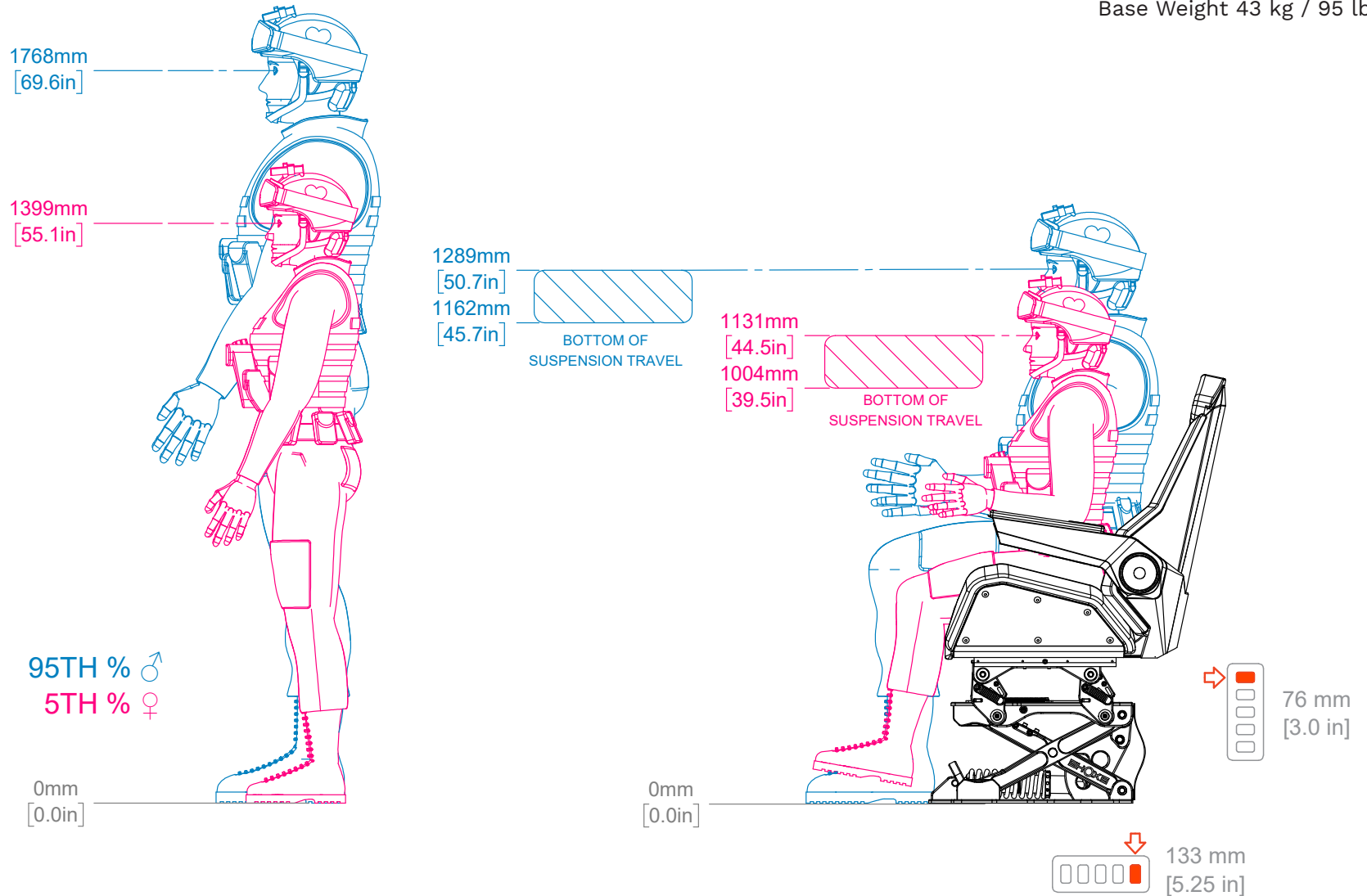
2400 SEAT SIGHTLINES

Human Engineering Reference MIL-STD-1472G

Suspension Travel 125 mm / 5 inch

Material CNC Aluminum 316 SS / Titanium / Carbon Fiber

Base Weight 43 kg / 95 lb



ALLSALT MARITIME OWNER OF SHOX5 AND KINETIX / ALLSALT.COM / SHOX5.COM / 1 (888) 637.4697



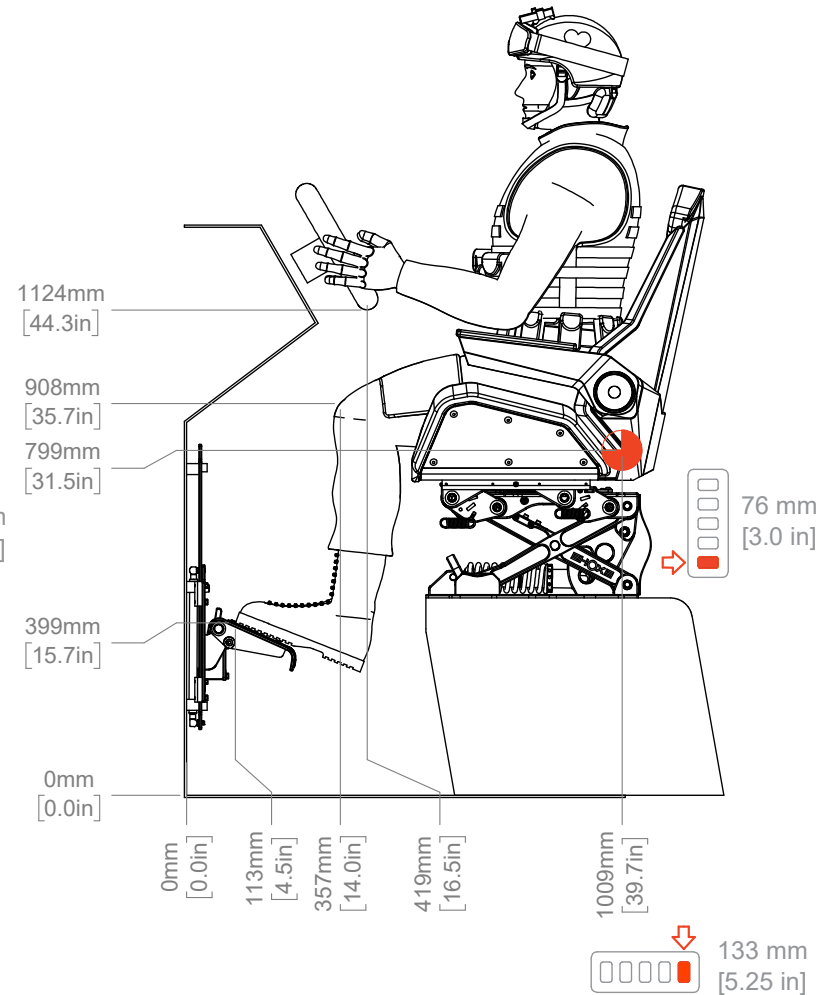
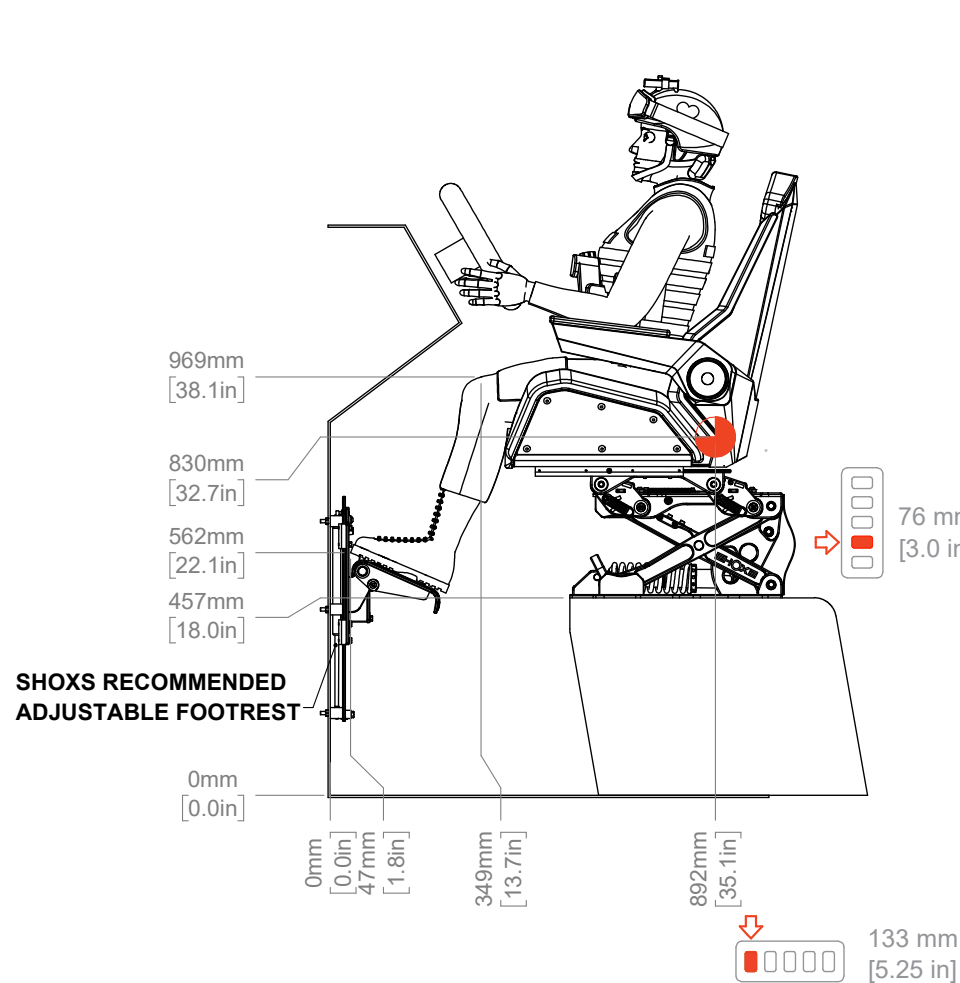
2400 SEAT CONSOLE ERGONOMICS

Human Engineering Reference MIL-STD-1472G

Suspension Travel 125 mm / 5 inch

Material CNC Aluminum 316 SS / Titanium / Carbon Fiber

Base Weight 43 kg / 95 lb



 SEAT REFERENCE POINT (SRP)



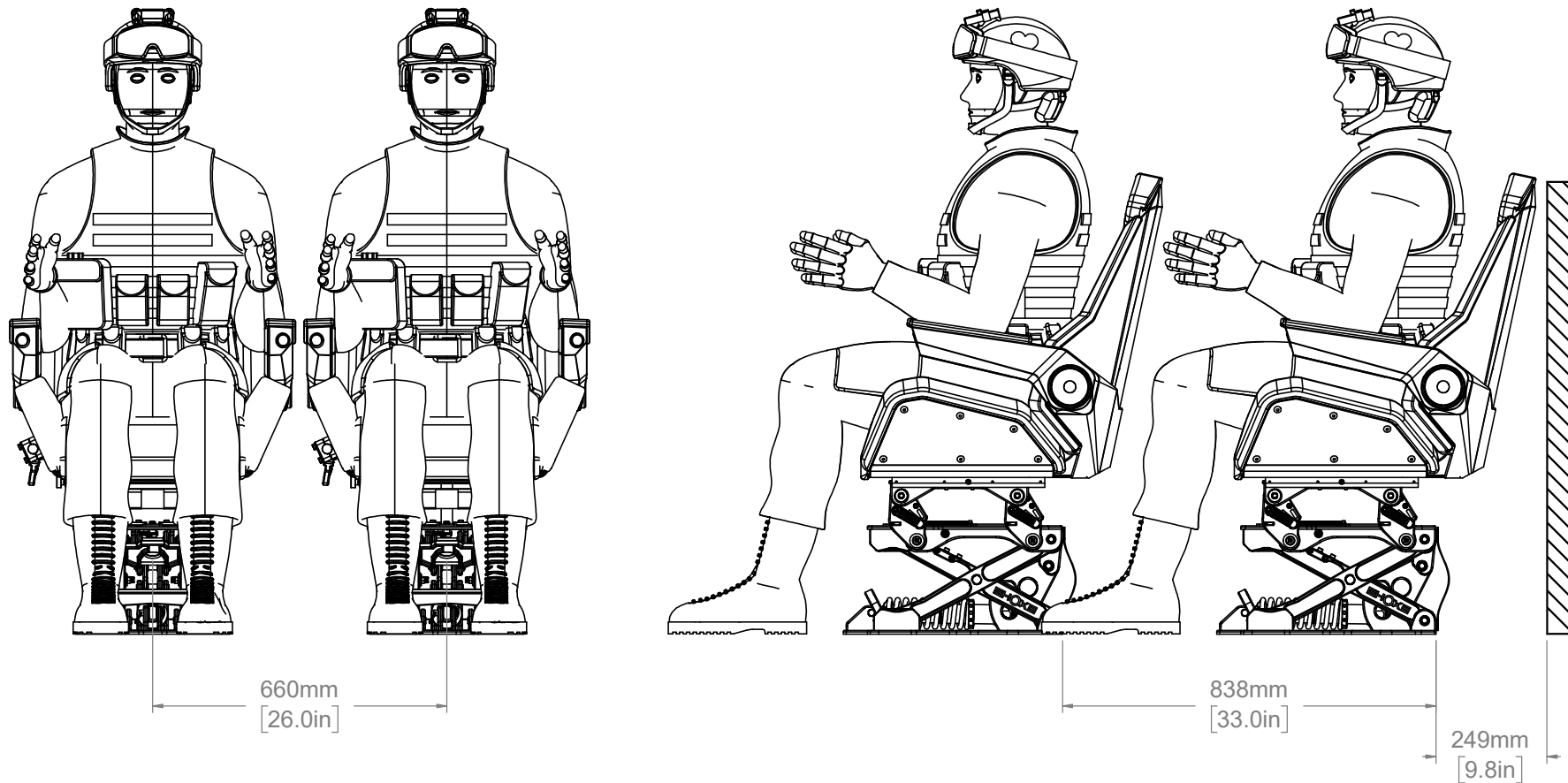
2400 SEAT SPACING

Human Engineering Reference MIL-STD-1472G

Suspension Travel 125 mm / 5 inch

Material CNC Aluminum 316 SS / Titanium / Carbon Fiber

Base Weight 43 kg / 95 lb



ALLSALT MARITIME OWNER OF SHOX5 AND KINETIX / ALLSALT.COM / SHOX5.COM / 1 (888) 637.4697